

TBS03301B

TBW01018B  
(5Modes)

TBW01017B

- ①TBS03301B
- ②TBW01018B
- ③TBW01017B



### FEATURES

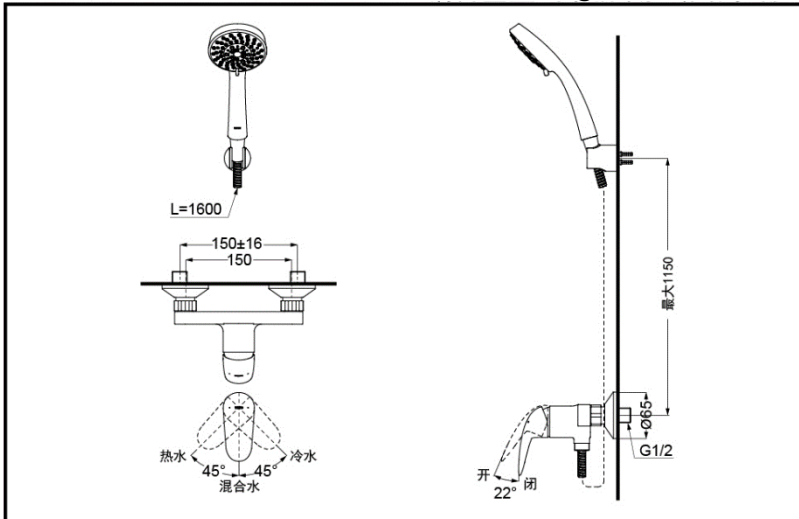
- Elegant appearance.
- Beautiful curves reveal elegant taste.
- Easy installation and usage.

### SPECIFICS

Water Inlet Requirement :  
0.05MPa(Dynamic Pressure)~1.0MPa(Static Pressure)

Water Efficiency :  
Grade2:TBW01018B  
Grade3:TBW01017B

### TBS03301B+TBW01018 Wall-Mount Single-Lever Shower Mixer



### Others

Series : LC  
Recommend fittings : L series  
Hand Shower

\*TOTO(CHINA) CO.,LTD. All rights reserved.